

## DOOR CLOSER FIXED POWER 5



MODEL	5100
APPLICATION	MOST POPULAR COMMERCIAL DOORS INTERIOR
CERTIFICATE	UL10C 3 HOUR ANSI 156.4 GRADE 1, 2 MILLION CYCLES TESTS UL228 BHMA LISTED
HIGHLIGHT FEATURES	STAKED VALVE , CLOSING FIXED FORCE 5
TECHNICAL INFORMATION	CONSTRUCTED WITH CASTED ALUMINUM BODY , STEEL ARM PASSIVELY AGAINST RUST & HIGHT QUALITY STEEL PRECISELY DESIGNED FOR CONVENIENT MULTI FUNCTIONAL INSTALLATION RACK & PINION IMMERSDED IN HIGH GRADE OIL OPERATING A SPRING TO GIVE A SMOOTH PRECISE ACTION & MINIMUM WEAR USING A NEEDLE BEARING TO REACH OPTIMAL PERFORMANCE AND EFFICIENCY HIGH TENSILE STRENGTH ALLOY STEEL / STABLE FIRE-PROOF HYDRAULIC FLUID
WARRANTY	5 YEARS
FINISHED	SATIN ANODIZED & DARK BRONZE



## DOOR CLOSER ADJUSTABLE 2 TO 6



MODEL	7100
APPLICATION	MOST POPULAR POWER ADJUSTABLE COMMERCIAL DOORS
CERTIFICATE	UL10C 3 HOUR
	ANSI 156.4 GRADE 1 , 2 MILLION CYCLES TESTS
	UL228
	BHMA LISTED
HIGHLIGHT FEATURES	STAKED VALVE , ADJUSTABLE CLOSING AND LATCHING SPEED , BC FUNCTION , OPTIONAL DA FUNCTION
	ADJUSTABLE SIZE 2 - 6
TECHNICAL INFORMATION	CONSTRUCTED WITH CASTED ALUMINUM BODY , STEEL ARM PASSIVELY AGAINST RUST & HIGHT QUALITY STEEL
	PRECISELY DESIGNED FOR CONVENIENT MULTI FUNCTIONAL INSTALLATION
	RACK & PINION IMMERSED IN HIGH GRADE OIL OPERATING A SPRING TO GIVE A SMOOTH PRECISE ACTION & MINIMUM WEAR
	USING A NEEDLE BEARING TO REACH OPTIMAL PERFORMANCE AND EFFICIENCY
	HIGH TENSILE STRENGTH ALLOY STEEL / STABLE FIRE-PROOF HYDRAULIC FLUID
WARRANTY	5 YEARS
FINISHED	SATIN ANODIZED & DARK BRONZE



## DOOR CLOSER ADJUSTABLE POWER RANGE 1 THRU 6



MODEL	7500
APPLICATION	HEAVY DUTY COMMERCIAL DOORS
CERTIFICATE	UL10C 3 HOUR
	ANSI 156.4 GRADE 1 , 2 MILLION CYCLE TESTS
	ADA COMPLIANT ANSI A117.1 ACCASSIBILITY CODE
	BHMA LISTED
HIGHLIGHT FEATURES	CAST IRON CYLINDER , STANDARD CAST STEEL ARM , FORGET STEEL ARM OPTIONAL
	ADJUSTABLE SIZE 1 - 6 , TRACK ARM POWER 1 - 4
TECHNICAL INFORMARTION	CONSTRUCTED WITH CASTED IRON BODY , STEEL ARM PASSIVELY AGAINST RUST & HIGHT QUALITY STEEL
	PRECISELY DESIGNED FOR CONVENIENT MULTI FUNCTIONAL INSTALLATION
	RACK & PINION IMMERSED IN HIGH GRADE OIL OPERATING A SPRING TO GIVE A SMOOTH PRECISE ACTION & MINIMUM WEAR
	USING A NEEDLE BEARING TO REACH OPTIMAL PERFORMANCE AND EFFICIENCY
	HIGH TENSILE STRENGTH ALLOY STEEL / STABLE FIRE-PROOF HYDRAULIC FLUID
WARRANTY	5 YEARS
FINISHED	SATIN ANODIZED & DARK BRONZE



## PATCH FITTING CLOSER



CODE	DESCRIPTION
MT-1888-SA	SATIN ANODIZE
MT-1888-BN	BRUSHED NICKEL
HELD OPEN	90 °
WIDTH	800 - 2000 mm
MAXIMUM LOAD	60 Kg
FIT FOR GLASS THICKNESS	10 mm OR 12 mm
MATERIAL	ALUMINUM ALLOY / ZINC ALLOY / STAINLESS STEEL
FINISH	SATIN ANODIZE / BRUSHED NICKEL

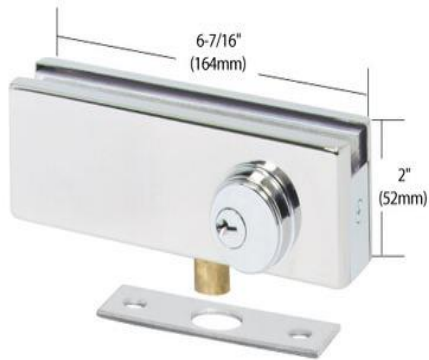


## PATCH FITTING TOP AND BOTTOM



CODE	DESCRIPTION
SP20-SA	PATCH FITTING SATIN ANODIZED
SP20-BN	PATCH FITTING BRUSHED NICKEL
SP20-PS	PATCH FITTING POLISHED STAINLESS
SP20-IN-DM	ADJUSTABLE TOP DOOR PATCH INSERT
SP20-IN-JS	TOP DOOR CLOSER PATCH INSERT
SP20-IN-BM	BOTTOM DOOR PATCH INSERT ( CENTER HUNG BOTTOM ADJUSTABLE )
SP20-IN-CM	BOTTOM DOOR PATCH INSERT ( FLOOR DOOR CLOSER )

## PATCH FITTING WITH LOCK



NORTH AMERICAN SERIE PATCH LOCK	
CODE	DESCRIPTION
SP20-SA	SATIN ANODIZED
SP20-BN	BRUSHED NICKEL
SP20-PS	POLISHED STAINLESS
KEYED CYLINDER NOT INCLUDED	



**CENTER HUNG BOTTOM ADJUSTABLE**  
**SURFACE MOUNTED TOP FREE SWINGING PIVOT**

Adjustable Bottom Free Swinging Pivot



Surface Mounted Top Free Swinging Pivot



CODE	DESCRIPTION
PFTP01-DM	ADJUSTABLE BOTTOM FREE SWINGING PIVOT
PFBP03-DM	SURFACE MOUNTED TOP FREE SWINGING PIVOT

## GLASS MOUNTED LATCH WITH LOCK (1)



CODE	DESCRIPTION
TMT-5024-SA	GLASS MOUNTED LACTH WITH LOCK SATIN ANODIZED
TMT-5024-BN	GLASS MOUNTED LACTH WITH LOCK BRUSHED NICKEL

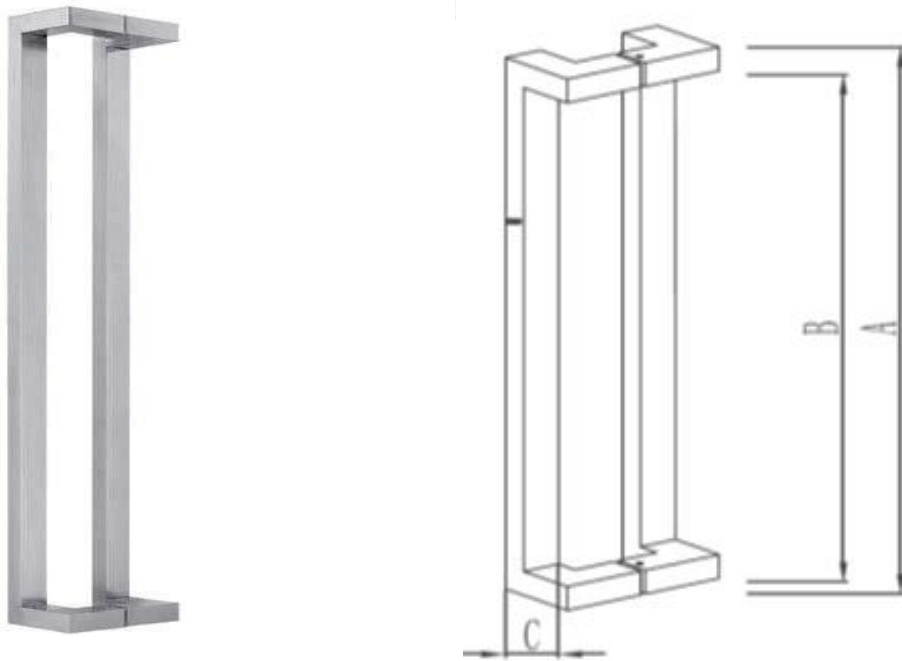


## GLASS MOUNTED LATCH WITH LOCK (2)



CODE	DESCRIPTION
TMT-5018-SA	GLASS MOUNTED LACTH WITH LOCK SATIN ANODIZED
TMT-5018-BN	GLASS MOUNTED LACTH WITH LOCK BRUSHED NICKEL

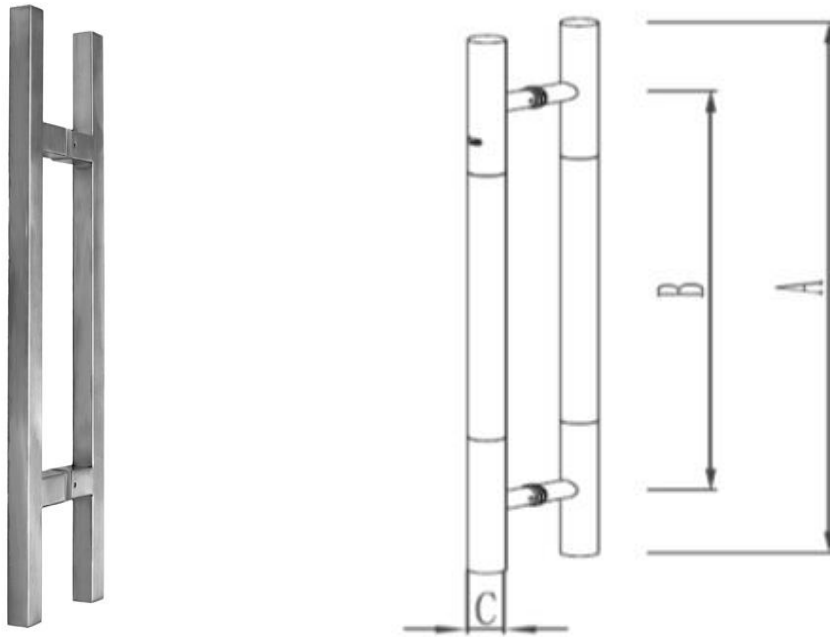
## INOX HANDLE OFFSET



CODE	A	B	C
ML6806	600 mm / 23 5/8 in	575 mm / 22 5/8 in	25 mm x 35 mm
ML6812	1200 mm / 47 1/4 in	1175 mm / 46 1/4 in	25 mm x 35 mm
ML6816	1600 mm / 63 in	1575 mm / 62 in	25 mm x 35 mm
MATERIAL	STAINLESS STEEL 304		
FINISH	BRUSHED NICKEL		
THICKNESS	10-65 mm		



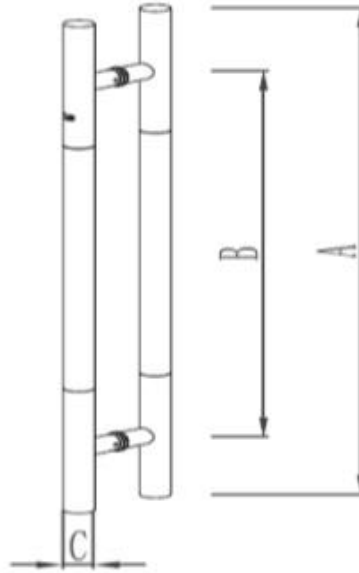
## INOX HANDLE



CODE	A	B	C
ML6606	600 mm / 23 5/8 in	400 mm / 15 3/4 in	25 mm x 35 mm
ML6612	1200 mm / 47 1/4 in	800 mm / 31 1/2 in	25 mm x 35 mm
ML6616	1500 mm / 60 in	1100 mm / 43 3/8 in	25 mm x 35 mm
MATERIAL	STAINLESS STEEL 304		
FINISH	BRUSHED NICKEL		
THICKNESS	10-65 mm		



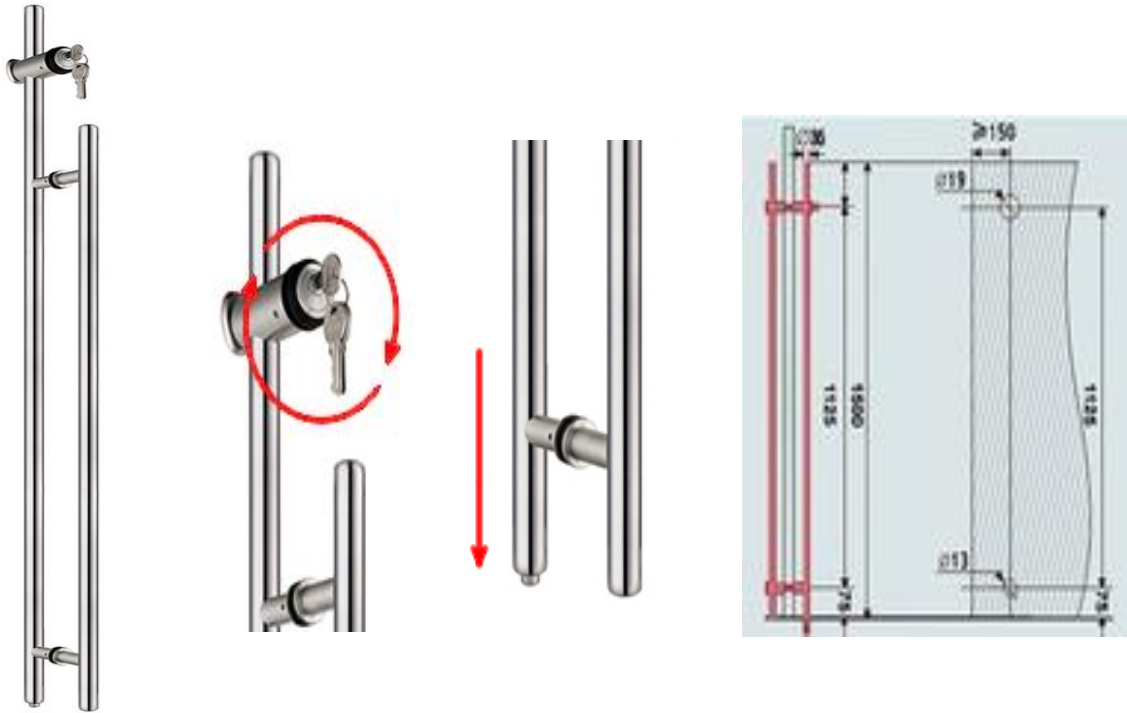
## LADDER GLASS HANDLE



CODE	A	B	C
ML6206	600 mm / 23 5/8 in	400 mm / 15 3/4 in	32 mm
ML6212	1200 mm / 47 1/4 in	800 mm / 31 1/2 in	38 mm
ML6216	1500 mm / 60 in	1100 mm / 43 3/8 in	38 mm
MATERIAL	STAINLESS STEEL 304		
FINISH	BRUSHED NICKEL		
THICKNESS	10-65 mm		



## LADDER GLASS HANDLE WITH LOCK



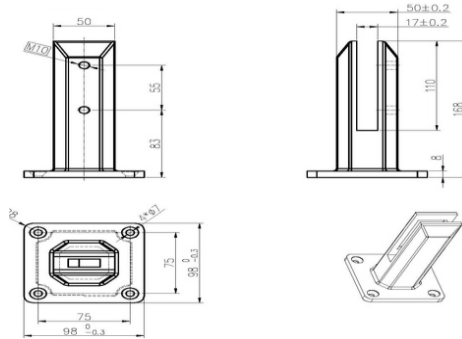
MODEL NUMBER	MB-BN
MATERIEL	SUS 304/316 STAINLESS STEEL
FINISH	BRUSHED NICKEL
SIZE	1500 mm X 35 mm / 60 in X 1 3/8 in
FUNCTION	CAN BE USED FOR 8-12 mm THICK GLASS , LOCKED INTO THE FLOOR



## SQUARE SURFACE MOUNT SPIGOT



MODEL NUMBER	SB-BN
ITEM NAME	SQUARE SURFACE MOUNT SPIGOT
MATERIEL	STAINLESS STEEL
MOUNTED	FLOORING
FINISH	BRUSHED NICKEL
FEATURE	NO HOLES REQUIRED IN THE GLASS
DIMENSION	168 mm (6 5/8 in) X 100 mm (3 15/16 in) X 100 mm (3 15/16 in)
WEIGHT	2.1 KG / 4,62 LBS
ACCESSORIES	COVER SCREWS, RUBBER GASKETS



## CONTINUOUS HINGE HALF MORTISE



CODE	LENGTH	FINISH	MATERIAL
FN-83-SA	2108 mm / 83 in	SATIN ANODIZED	EXTRUDED 6063 T6 ALUMINUM ALLOY
FN-95-SA	2413 mm / 95 in	SATIN ANODIZED	EXTRUDED 6063 T6 ALUMINUM ALLOY
FN-119-SA	3023 mm / 119 in	SATIN ANODIZED	EXTRUDED 6063 T6 ALUMINUM ALLOY
FN-XX-SA	NON-STANDARD SIZE	SATIN ANODIZED	EXTRUDED 6063 T6 ALUMINUM ALLOY
FN-83-DU	2108 mm / 83 in	BRONZE ANODIZED	EXTRUDED 6063 T6 ALUMINUM ALLOY
FN-95-DU	2413 mm / 95 in	BRONZE ANODIZED	EXTRUDED 6063 T6 ALUMINUM ALLOY
FN-119-DU	3023 mm / 119 in	BRONZE ANODIZED	EXTRUDED 6063 T6 ALUMINUM ALLOY
FN-XX-DU	NON-STANDARD SIZE	BRONZE ANODIZED	EXTRUDED 6063 T6 ALUMINUM ALLOY
Bronze - Architectural Class I - 215R1 Dark Bronze (0.7 mm and thicker) AA-M12C22A44 anodized aluminum			
Clear - Architectural Class II - 204R1 Clear (0.4-0.7 mm) AA-M12C22A31 anodized aluminum			



## CONTINUOUS MORTISE HINGE



CODE	LENGTH	FINISH	MATERIAL
YP-83-SA	2108 mm / 83 in	SATIN ANODIZED	EXTRUDED 6063 T6 ALUMINUM ALLOY
YP-95-SA	2413 mm / 95 in	SATIN ANODIZED	EXTRUDED 6063 T6 ALUMINUM ALLOY
YP-119-SA	3023 mm / 119 in	SATIN ANODIZED	EXTRUDED 6063 T6 ALUMINUM ALLOY
YP-XX-SA	NON-STANDARD SIZE	SATIN ANODIZED	EXTRUDED 6063 T6 ALUMINUM ALLOY
YP-83-DU	2108 mm / 83 in	BRONZE ANODIZED	EXTRUDED 6063 T6 ALUMINUM ALLOY
YP-95-DU	2413 mm / 95 in	BRONZE ANODIZED	EXTRUDED 6063 T6 ALUMINUM ALLOY
YP-119-DU	3023 mm / 119 in	BRONZE ANODIZED	EXTRUDED 6063 T6 ALUMINUM ALLOY
YP-XX-DU	NON-STANDARD SIZE	BRONZE ANODIZED	EXTRUDED 6063 T6 ALUMINUM ALLOY
YP-83-BL	2108 mm / 83 in	BLACK ANODIZED	EXTRUDED 6063 T6 ALUMINUM ALLOY
YP-95-BL	2413 mm / 95 in	BLACK ANODIZED	EXTRUDED 6063 T6 ALUMINUM ALLOY
YP-119-BL	3023 mm / 119 in	BLACK ANODIZED	EXTRUDED 6063 T6 ALUMINUM ALLOY
YP-XX-BL	NON-STANDARD SIZE	BLACK ANODIZED	EXTRUDED 6063 T6 ALUMINUM ALLOY
YP-83-LB	2108 mm / 83 in	LIGHT BRONZE ANODIZED	EXTRUDED 6063 T6 ALUMINUM ALLOY
YP-95-LB	2413 mm / 95 in	LIGHT BRONZE ANODIZED	EXTRUDED 6063 T6 ALUMINUM ALLOY
YP-119-LB	3023 mm / 119 in	LIGHT BRONZE ANODIZED	EXTRUDED 6063 T6 ALUMINUM ALLOY
YP-XX-LB	NON-STANDARD SIZE	LIGHT BRONZE ANODIZED	EXTRUDED 6063 T6 ALUMINUM ALLOY
YP-83-WP	2108 mm / 83 in	WHITE PAINT	EXTRUDED 6063 T6 ALUMINUM ALLOY
YP-95-WP	2413 mm / 95 in	WHITE PAINT	EXTRUDED 6063 T6 ALUMINUM ALLOY
YP-119-WP	3023 mm / 119 in	WHITE PAINT	EXTRUDED 6063 T6 ALUMINUM ALLOY
YP-XX-WP	NON-STANDARD SIZE	WHITE PAINT	EXTRUDED 6063 T6 ALUMINUM ALLOY